

PIRANHA OFFROAD PRODUCTS

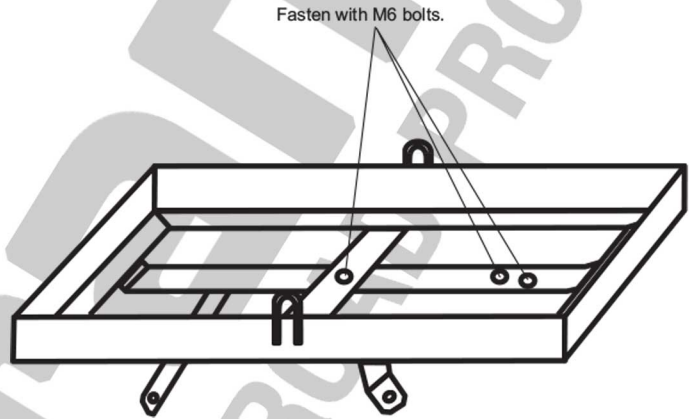
BTNNP

'Piranha Off Road products are not associated in any way with Nissan Motor Co. (Australia) Pty Ltd or any of its related companies'

To Suit NISSAN NAVARA 2.7 PETROL WITH (Pre Cleaner)



PART NUMBER	BTNNP
APPROX FITTING TIME	1 Hour
MAX BATTERY SIZE	235mm Long
RECOMMENDED TYPE	Cycle Duty
TRAY LOCATION	PSF



PARTS INCLUDED WITH TRAY

- 4 X M6 Bolt
- 2 X J Bolts
- 1 X Universal Top Mount

FITTING INSTRUCTIONS

The cradle fits passenger side front.

The ducting and pre cleaner are removed.

NOTE: Ducting reduces induction noise. This fitment may not be suitable for some applications. Check with customer as induction noise is very loud.

Ensure, before closing the bonnet that all items fitted have adequate clearance

RECOMMENDED ISOLATOR

**DBE140S
or
DBE180-SX**