

PIRANHA OFFROAD PRODUCTS

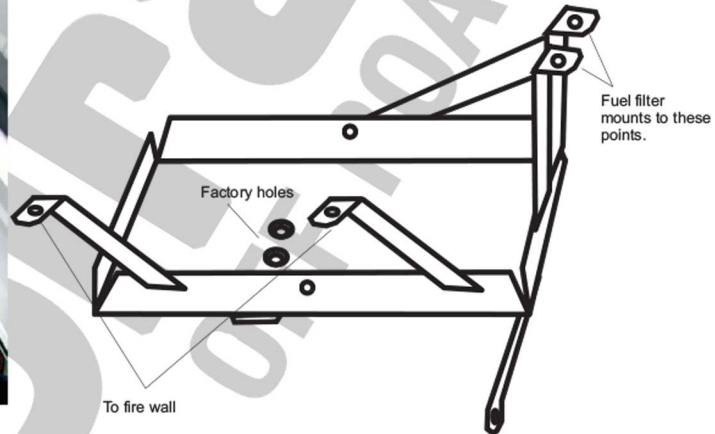
BTNNDR

'Piranha Off Road products are not associated in any way with Nissan Motor Co. (Australia) Pty Ltd or any of its related companies'

To Suit NISSAN NAVARA D22 D22 V6 PETROL & 3.0L TD



PART NUMBER
BTNNDR
APPROX FITTING TIME
1 Hour
MAX BATTERY SIZE
235mm Long
RECOMMENDED TYPE
Cycle Duty
TRAY LOCATION
PSR



PARTS INCLUDED WITH TRAY

- 5 X M6 Bolt
- 2 X M6 Nut
- 2 X M8 Bolt Long
- 2 X M8 Nuts
- 2 X J Bolts
- 1 X Universal Top Mount

FITTING INSTRUCTIONS

The cradle fits passenger side rear.

It fits to rear passenger side corner. Two factory holes locate position. Slight modification to metal fuel line so as rubber fuel line does not kink. Fuel hose to be shortened.

Ensure, before closing the bonnet that all items fitted have adequate clearance

RECOMMENDED ISOLATOR

**DBE140S
or
DBE180-SX**