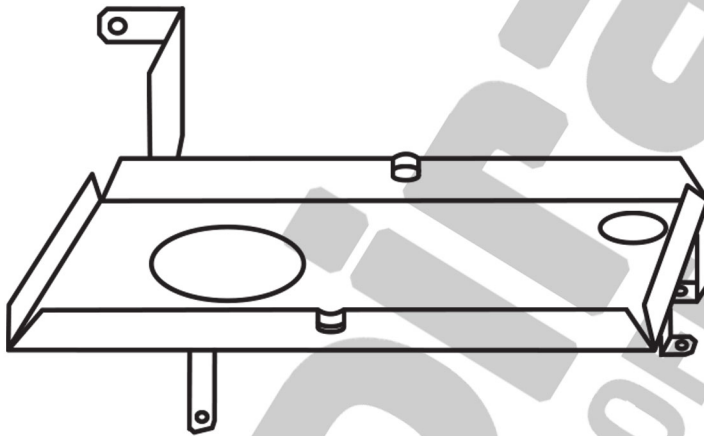
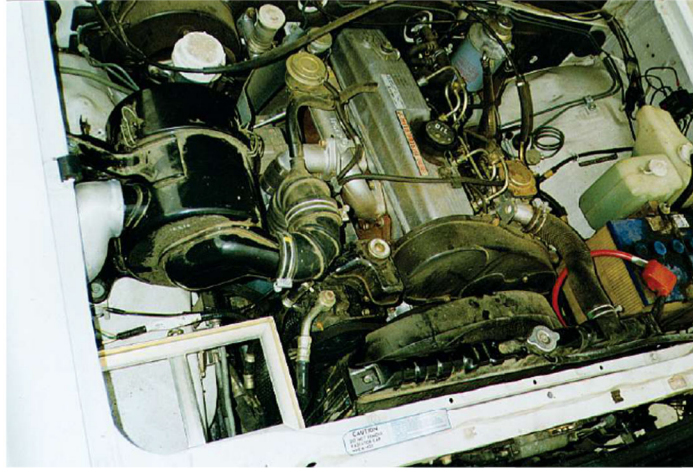


'Piranha Off Road products are not associated in any way with MITSUBISHI Motors Australia Ltd or any of its related companies'

## To Suit MITSUBISHI TRITON MH 4D56.2.5LD / 4D56T2.5TD



PART NUMBER	BTMTD
APPROX FITTING TIME	1 Hour
MAX BATTERY SIZE	300mm Long
RECOMMENDED TYPE	Cycle Duty
TRAY LOCATION	DSF



### PARTS INCLUDED WITH TRAY

- 2 X M6 Bolt
- 2 X M6 Nut
- 2 X Body Washers
- 2 X J Bolts
- 1 X Universal Top Mount

### FITTING INSTRUCTIONS

**The cradle fits drivers side front.**

The tray sits east-west and takes a 12 inch case battery. The tray uses two original bolts. The other two should be marked and drilled. This tray takes about 30-40 minutes to fit.

**Ensure, before closing the bonnet that all items fitted have adequate clearance**

### RECOMMENDED ISOLATOR

**DBE140SF  
or  
DBE180-SX**