

PIRANHA OFFROAD PRODUCTS

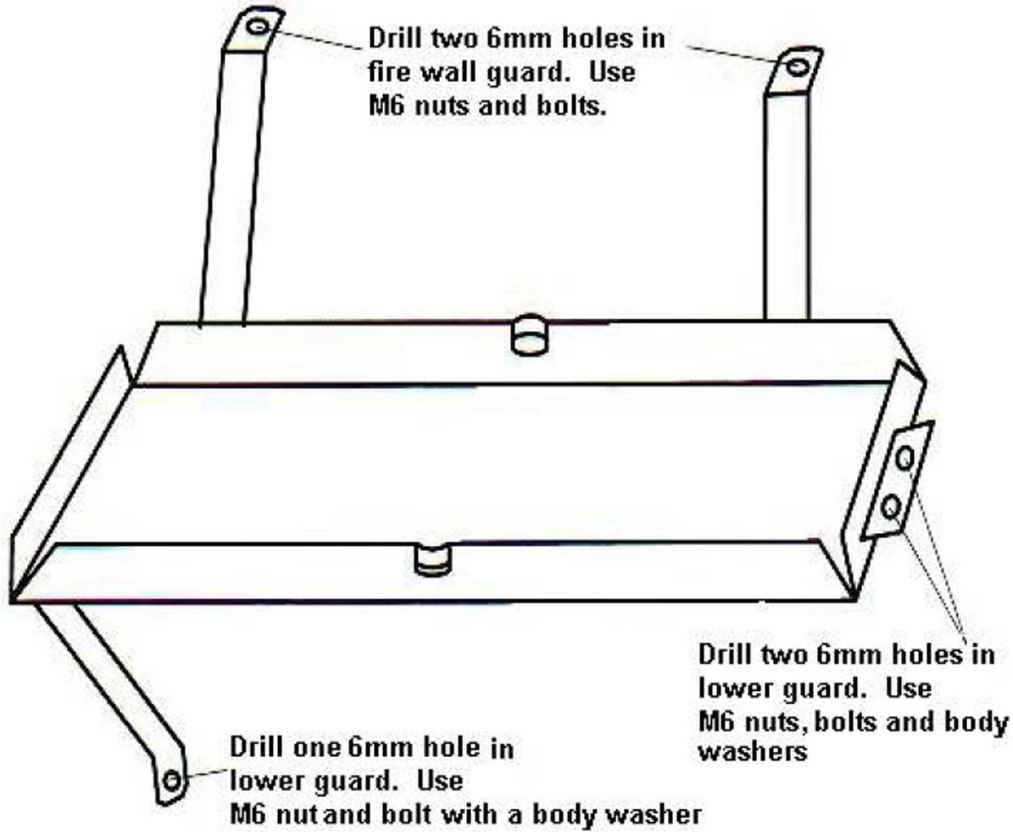
BTMT04

'Piranha Off Road products are not associated in any way with MITSUBISHI Motors Australia Ltd or any of its related companies'

To Suit MITSUBISHI TRITON MK 4M40 2.8L TDI



PART NUMBER	BTMT04
APPROX FITTING TIME	1 Hour
MAX BATTERY SIZE	235mm Long
RECOMMENDED TYPE	Cycle Duty
TRAY LOCATION	PSR



PARTS INCLUDED WITH TRAY

- 1 X Tray
- 5 X M6 Bolt
- 5 X M6 Nuts
- 3 X Body Washers
- 2 X J Bolts
- 1 X Universal Top Mount

FITTING INSTRUCTIONS

The cradle fits on the passenger side rear corner, with the two arms sitting on the lip of the fire wall.

The arm going down sits on the inner skirt. There is normally nothing to relocate on this vehicle. Five M6 nuts and bolts are supplied. Three panel washers are used, one for the lower support arm, and the remaining two for the passenger side mount, used under the skirt. A hold down is also supplied.

Ensure, before closing the bonnet that all items fitted have adequate clearance

RECOMMENDED ISOLATOR

**DBE140SF
or
DBE180-SX**