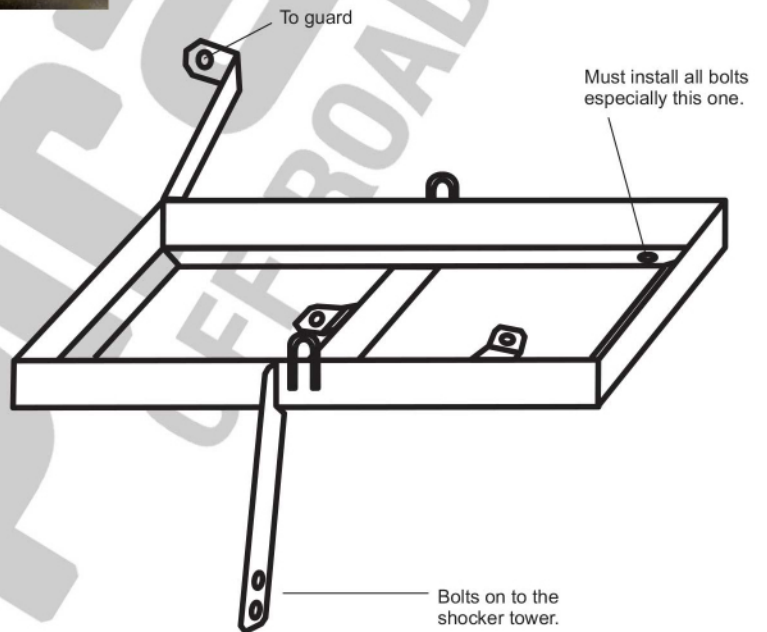


'Piranha Off Road products are not associated in any way with Toyota Australia or any of its related companies'

To Suit LANDCRUISER 80 SERIES  
3.9 EFI AUTO



PART NUMBER	BT80PE
APPROX FITTING TIME	1 Hours
MAX BATTERY SIZE	300mm L
MAX BATT WEIGHT	23Kg
CYCLE DUTY	
TRAY LOCATION	PSR



<b>PARTS INCLUDED WITH TRAY</b>
1 X Tray
6 X M6 Bolt
6 X M6 Nut
3 X Body Washer
1 X Universal Top Mount
2 X J Bolts
<b>RECOMMENDED ISOLATOR</b>
<b>DBE140SF</b>
or
<b>DBE180-SX</b>

## FITTING INSTRUCTIONS

**The cradle fits passengers rear.**

No major problem to install but must have all bolts mounted, if not it will rock and cause damage.

**Ensure, before closing the bonnet that all items fitted have adequate clearance**