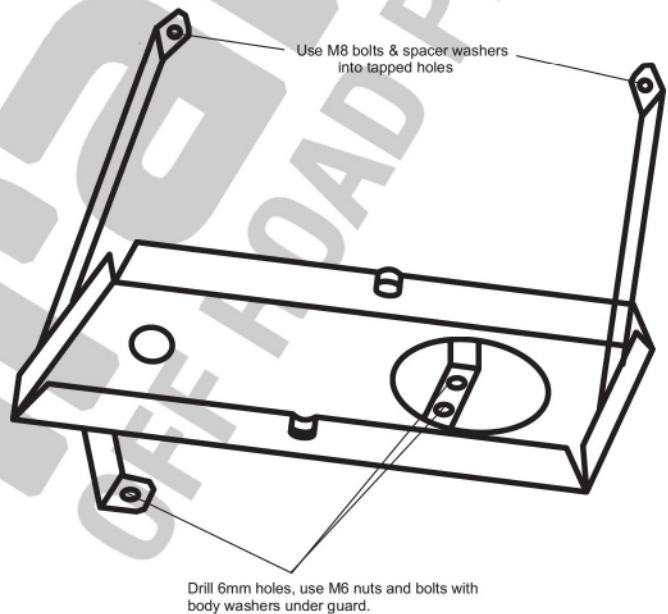
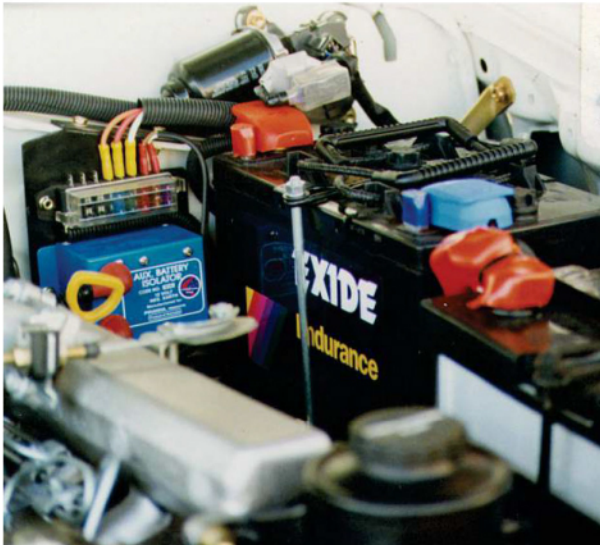


'Piranha Off Road products are not associated in any way with Toyota Australia or any of its related companies'

To Suit LANDCRUISER 75 SERIES  
1JKZK/2JD & 3F/2F/ 4.5L PETROL

PART NUMBER	BT75R
APPROX FITTING TIME	.5 Hours
MAX BATTERY SIZE	300mm L
MAX BATT WEIGHT	23Kg
CYCLE DUTY	
TRAY LOCATION	PSR



<b>PARTS INCLUDED WITH TRAY</b>
1 X Tray
3 X M6 Bolt
3 X M6 Nut
3 X Body Washer
2 X Spacer Washer
2 X M8 Bolt Long
1 X Universal top Mount
2 X J Bolts
<b>RECOMMENDED ISOLATOR</b>
<b>DBE140SF</b>
or
<b>DBE180-SX</b>

## FITTING INSTRUCTIONS

**The cradle fits passenger side rear.**

The looms may have to be moved slightly, to ensure that they are not squashed. Bolt in top braces with M8 bolts. Then drill 6mm holes, where required and fasten with M6 bolts and nuts, using body washers under the guard.

**NOTE: This tray can be used to replace original manufacturers cradle.**

**Ensure, before closing the bonnet that all items fitted have adequate clearance**