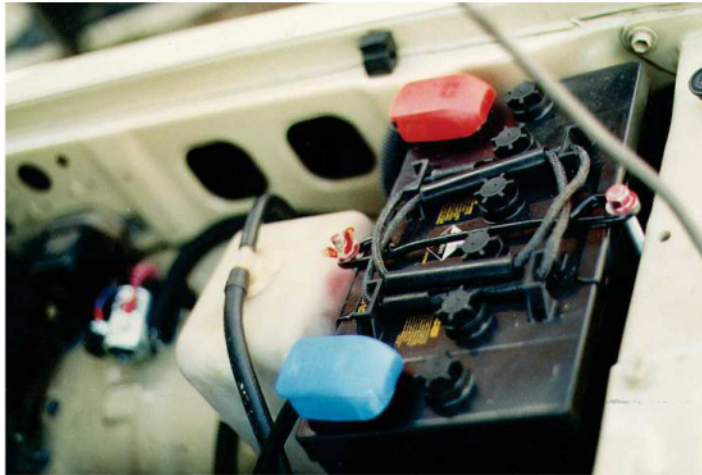
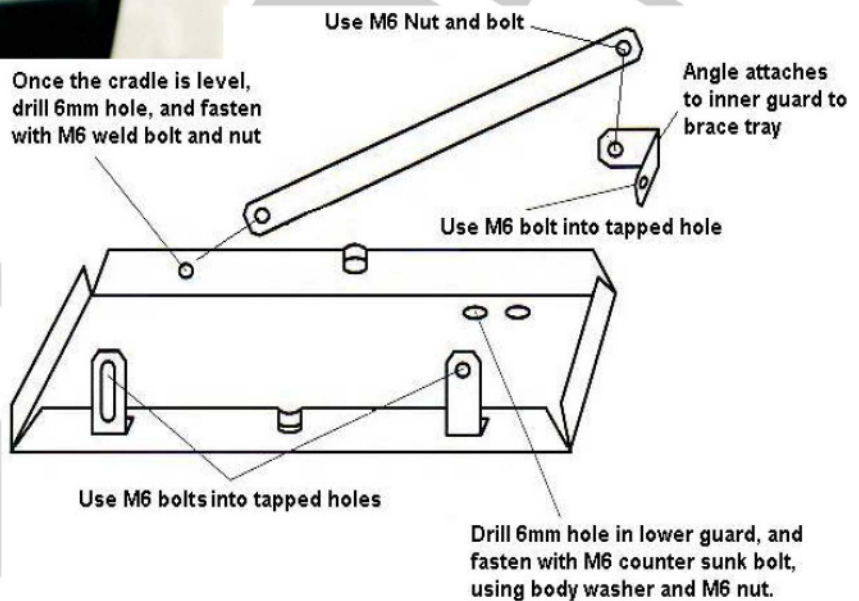


'Piranha Off Road products are not associated in any way with Toyota Australia or any of its related companies'

To Suit LANDCRUISER 60 SERIES
2F / 3F PETROL & 2H / 12HT TD



PART NUMBER	BT60
APPROX FITTING TIME	1 Hours
MAX BATTERY SIZE	300mm L
MAX BATT WEIGHT	23Kg
CYCLE DUTY	
TRAY LOCATION	PSF



PARTS INCLUDED WITH TRAY
1 X Tray
2 X M8 Bolt Long
1 X Universal top Mount
2 XJ Bolts
2 X M6 Bolt
1 X M6 Bolt (Countersunk)
3 X M6 Nut
1 X Body Washer
1 X Weld Bolt
2 X Support Arm Brackets
RECOMMENDED ISOLATOR
DBE140SF or DBE180-SX

This Cradle fits Passenger Side Front

Remove radiator over-flow bottle and check that Air conditioning pipes are out of the way. Insert M8 bolt through the fixed hole in the bracket, then the other through the slot also using the long M8 bolt. Drill 6mm hole on guard and fasten with counter sunk M6 bolt using a washer and nut. After levelling the cradle, bolt the angle bracket into the tapped hole in the left guard, then attach the support arm. Nut and bolt support arm at the top. A 6mm hole needs to be drilled into the tray, this may need to be clamped when drilling the hole. Fasten with M6 weld bolt and nut. Relocate the over-flow bottle where convenient.

NOTE: This Tray can be used to replace Original Manufacturers Cradle

Ensure, before closing the bonnet that all items fitted have adequate clearance