

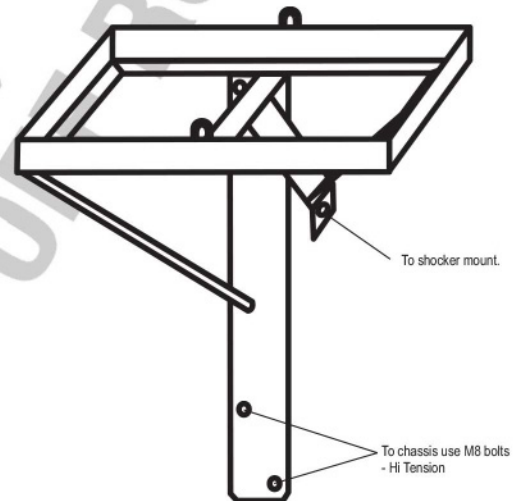
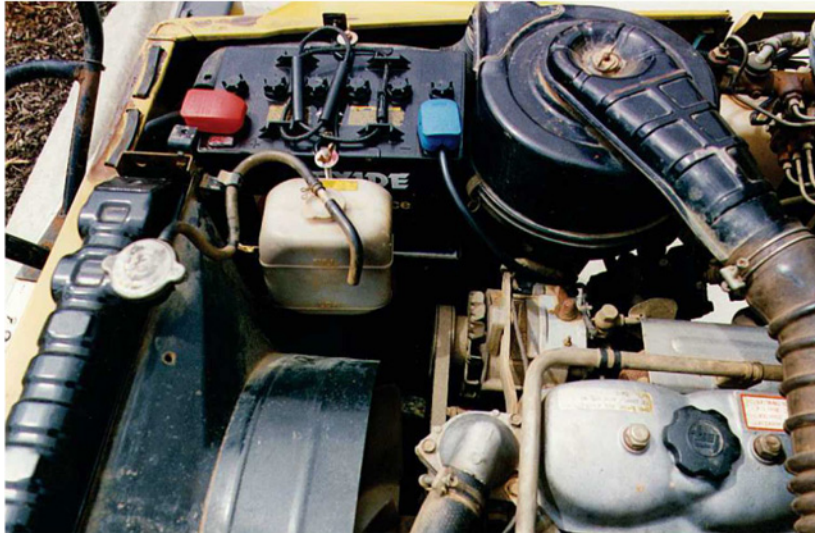
'Piranha Off Road products are not associated in any way with Toyota Australia or any of its related companies'

To Suit LANDCRUISER 40 SERIES FJ40/BJ40

Being designated as **NOT FOR SELF FIT** means there may be variations within the vehicle models or components that must be moved and must be completed by an automotive workshop to ensure the safe operation of the vehicle



PART NUMBER	BT40S
APPROX FITTING TIME	1.5 Hours
MAX BATTERY SIZE	300mm L
MAX BATT WEIGHT	23Kg
CYCLE DUTY	
TRAY LOCATION	DSF



PARTS INCLUDED WITH TRAY

- 1 X Tray
- 2 X M8 Bolt Long
- 1X Universal top Mount
- 2 XJ Bolts

RECOMMENDED ISOLATOR

DBE140SF
or
DBE180-SX

This Cradle fits Drivers Side Front Corner

This Cradle is for SWB Landcruisers, usually 4 Cylinder Diesel, while most 6 Cylinder models will take a Dual Cradle (BT40D). This Tray is only to be mounted on the Chassis (ie. Not to Body). Ensure all Bolts are Fitted and Tight.

NOTE: Can Cause Extreme Damage if mounted to body at any point.

Ensure, before closing the bonnet that all items fitted have adequate clearance